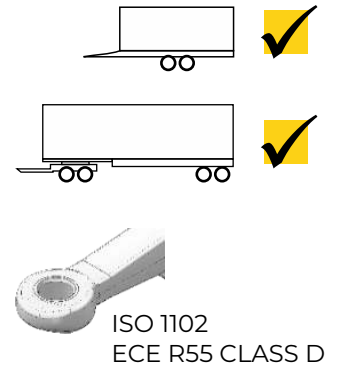
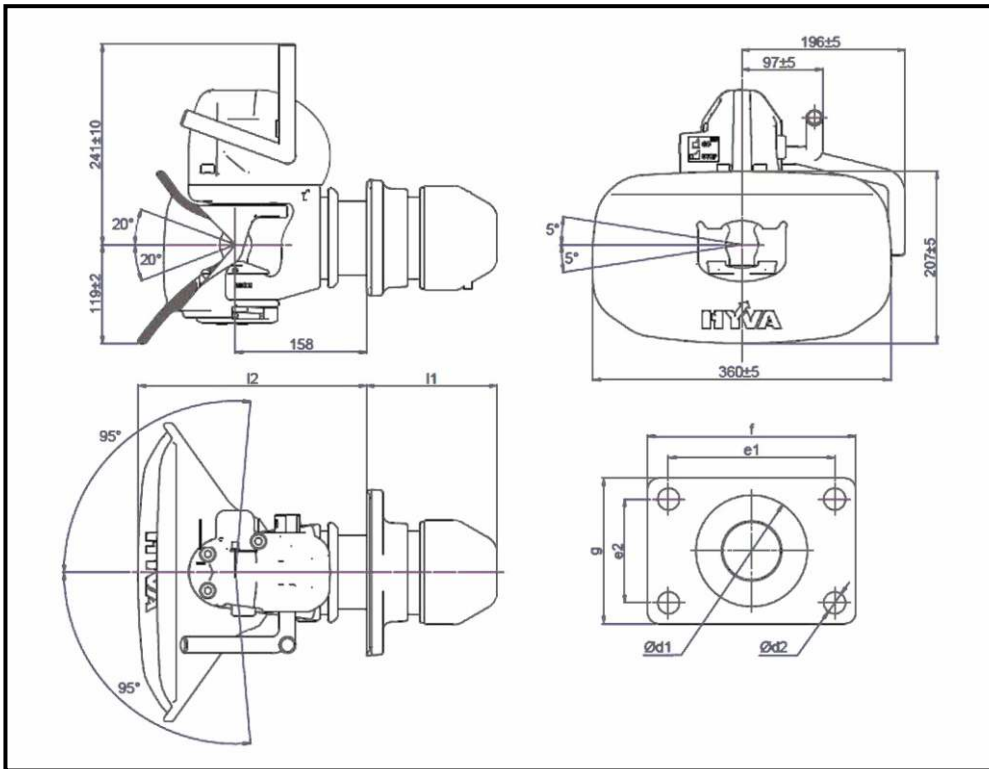


TECHNICAL SPECIFICATIONS

Type	l1 (mm)	l2 (mm)	e1 (mm)	e2 (mm)	f (mm)	g (mm)	Ød2 (mm)
JK40-C5	157	94	160	100	200	140	21
JK40-C4	157	80	140	80	180	120	17
JK40-C3	153	72	120	55	155	90	15



Part number	Hole pattern (mm)	D value (kN)	Dc value (kN)	S value (kg)	V value (kN)	Weight (kg)	Remote indicator	Remote opening	ECE R55-02 Approval
JK405A000	160x100	140	100	1000	42	36.5			E32-55R02-0184
JK405A000	160x100	140	100	2000	26	36.5			E32-55R02-0184
JK405B000	160x100	140	100	1000	42	37			E32-55R02-0184
JK405B000	160x100	140	100	2000	26	37			E32-55R02-0184
JK404A000	140x80	110	92	1000	38	36			
JK404A000	140x80	110	92	1500	29	36			
JK404B000	140x80	110	92	1000	38	36.5			
JK404B000	140x80	110	92	1500	29	36.5			
JK403A000	120x55	70	70	500	28	34			
JK403A000	120x55	70	70	500	26	34			
JK403B000	120x55	70	70	500	28	34.5			
JK403B000	120x55	70	92	500	26	34.5			

UPGRADE KITS

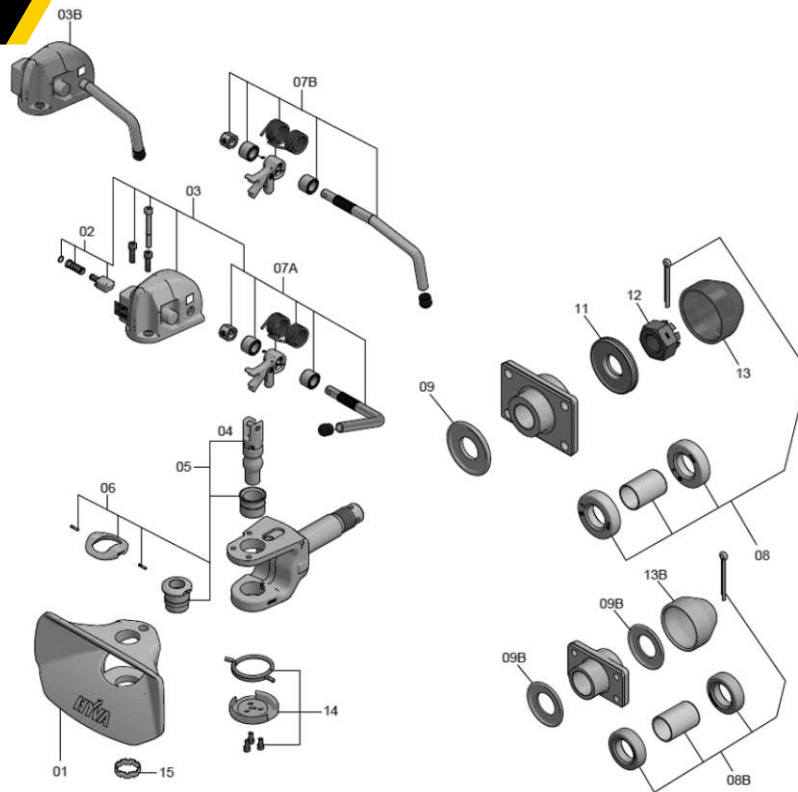
Remote Indication Sensor Kit CK0100001



Out Cab Control Unit Kit CK0100004



SPARE PARTS



Pos.	Part no.	Description	Qty.
01	HSC00026	Drawbar coupling Funnel JK40	1
02	HSC00027	Drawbar coupling Second security JK40 kit	1
03	HSC00028	Drawbar coupling Mechanism box kit Lever A	1
03B	HSC00041	Drawbar coupling Mechanism box kit Lever B	1
04	HSC00029	Drawbar coupling Pin Ø40	1
05	HSC00030	Drawbar coupling Bushing and pin kit JK40	1
06	HSC00031	Drawbar coupling Wearing pad metal JK40	1
07	HSC00032	Drawbar coupling "A" lever kit JK40	1
07B	HSC00040	Drawbar coupling "B" lever kit JK40	1
08	HSC00033	Drawbar coupling Rubber buffer kit C5-C4	1
08B	HSC00036	Drawbar coupling Rubber buffer kit C3	1

Pos.	Part no.	Description	Qty.
09	HSC00034	Drawbar coupling Front flange	1
09B	HSC00037	Drawbar coupling Front flange C3	1
11	HSC00035	Drawbar coupling Rear flange	1
11B	HSC00038	Drawbar coupling Rear flange C3	1
12	HSC00012	Drawbar coupling Hex slotted castle nut	1
13	HSC00013	Drawbar coupling Nut cap	1
13B	HSC00039	Drawbar coupling Nut cap C3	1
14	HSC00014	Drawbar coupling Funnel spring kit	1
15	HSC00024	Drawbar coupling Funnel bushing	1