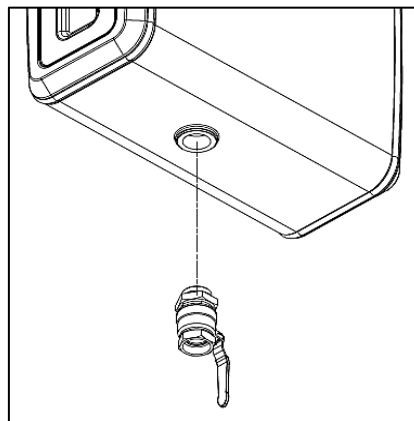


3D model is available on request

Specifications

Configuration		Ball Valve	
Part number		14780986	
T1: Thread		1 1/2"	BSP
T2: Thread		1 1/2"	BSP
W: Width		2.7	inch
H: Height		4.4	inch
L: Length of valve body		4.8	inch
L1: Total Length		8.2	inch
ID: Internal diameter		1.4	inch
SW: Spanner width		2.4	inch
Weight		4	lbs
Oil temperature range	min / max	-40 / 176	°F
Pressure range	min / max	10 / 44	psi

Mounting of Ball valve



Technical Notes

- Mount the ball valve according to the mounting instructions contained in the Hyva oil tank
- Recommended oil is mineral based; for other fluids contact our engineering department
- To avoid cavitation, suction hose must be kept as short and straight as possible and oil viscosity should be respected at all operating temperatures.

Related Documentation

Mounting Instruction: HOS-0001

Oil specifications: OIL-0011