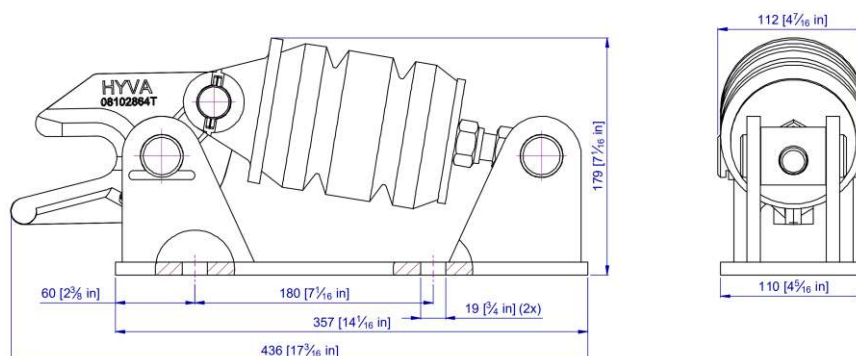
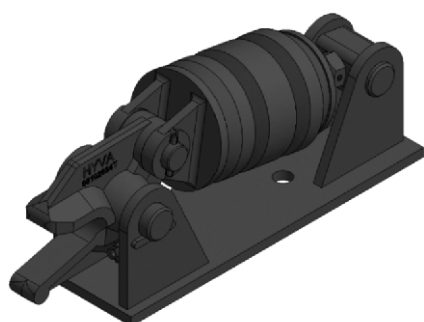
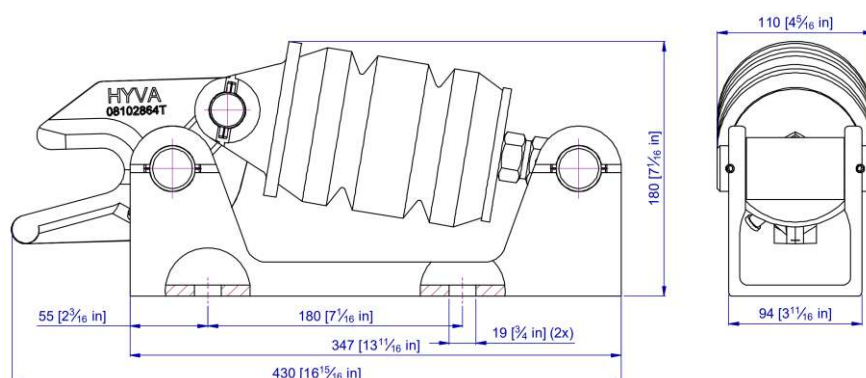
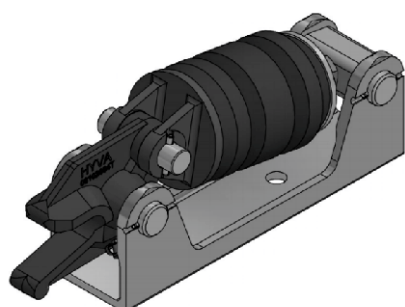


## Hyfix Steel



Part number	Description	Mass (kg)	Including bracket	Max. Compression load (kg)
08102864T	Hyfix Steel, coated in primer	12.9	No	1850
08102864P	Hyfix Steel, coated in black paint	12.9	No	1850
08102855	Hyfix Steel, coated in primer	15.9	Yes	1850

## Hyfix Aluminium



Part number	Description	Mass (kg)	Including bracket	Max. Compression load (kg)
08102890T	Hyfix Aluminium	9.2	No	1850
08102867	Hyfix Aluminium	11.4	Yes	1850

## General information

### For all hyfixes use:

- Bolts M16x1.5 Property Class 8.8 or higher
- Self-locking nuts M16 Property Class 8 or higher
- Washer 17x30 over slotted holes in the bracket

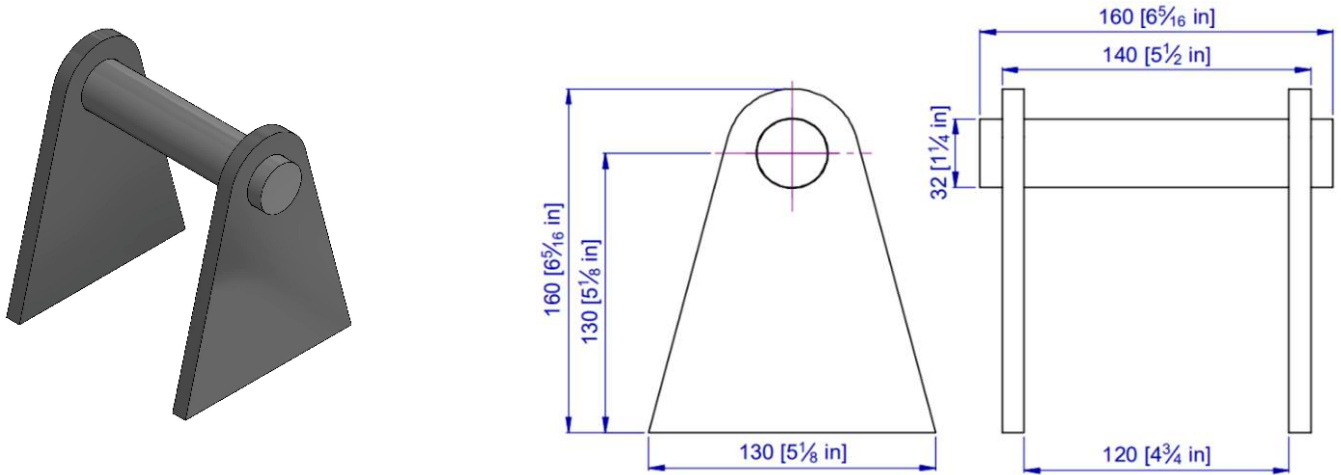
### Bolt kits are available:

- Q005: 16 bolts M16x50, nuts and washers (2.3 kg)

### Note:

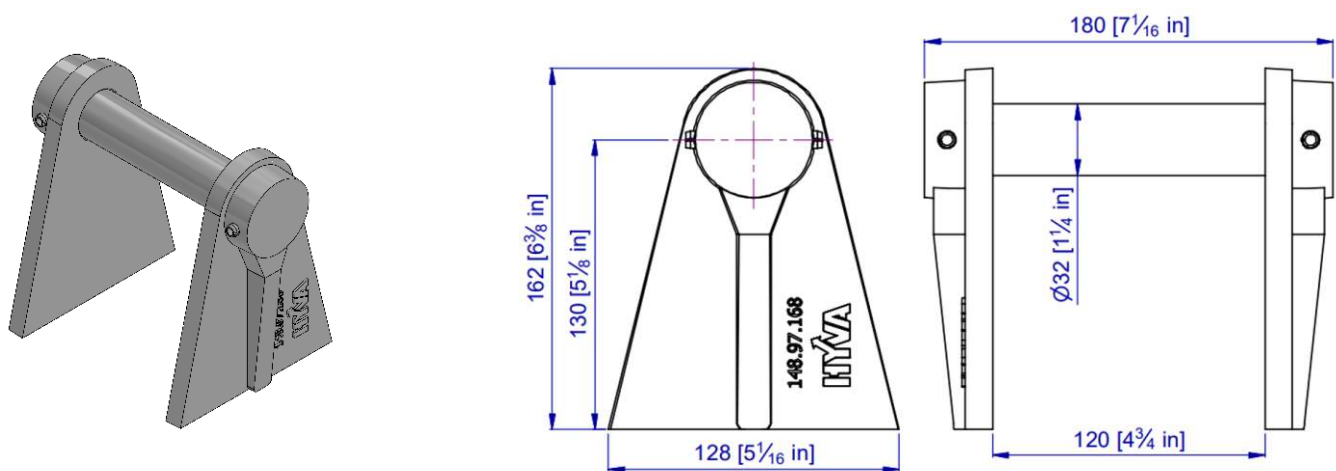
- Do not paint the rubber power block, this can cause the surface to crack and reduce the functionality of the Hyfix.
- Weight can vary as per production process
- For mounting, see instructions HYF-0002
- For maintenance, see instructions HYF-0001
- Items painted black are conforming to the 480 hours neutral salt spray test as per ISO 9227.

### Steel Hyfix Bracket



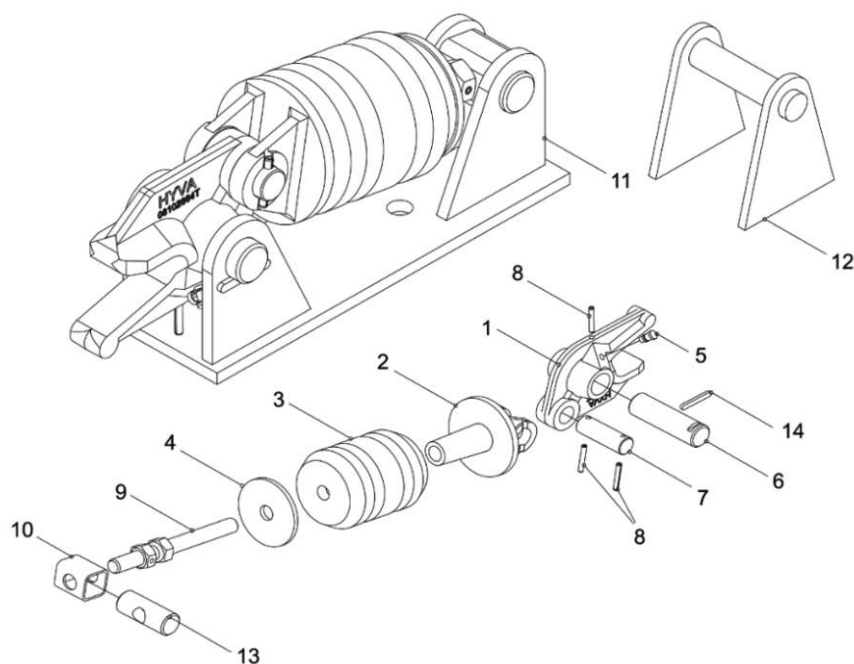
Part number	Description	Mass (kg)
14897167T	Hyfix bracket steel, coated in primer	3.0

### Aluminium Hyfix Bracket



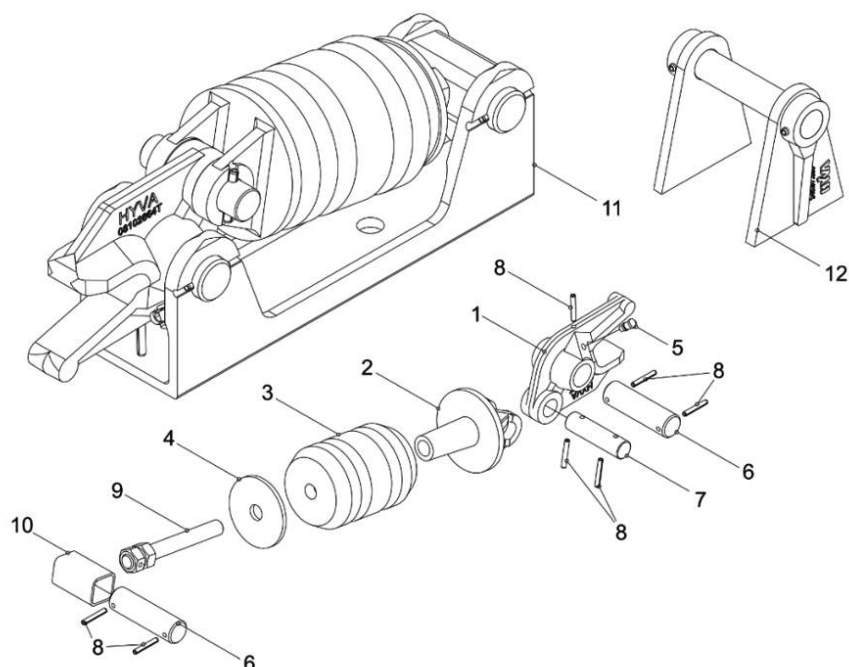
Part number	Description	Mass (kg)
14897168	Hyfix bracket aluminum	2.2

### Spareparts Steel Hyfix



Pos.	Part no.	Description	Qty.
1	14897003	Lever operated clamp	1
2	14897015	Head	1
3	14897027	Rubber power block	1
4	14897039	Compression plate	1
5	01770706	Grease nipple	1
6	14897040	Axle Ø32	1
7	14897052	Axle Ø25	1
8	14897064	Slotted pin	3
9	14897088	Threaded pin	1
10	14897090	Pivot mechanism	1
11	14897120	Frame steel	1
12	14897167T	Bracket steel	1
13	14897106	Axle Ø32 + hole Ø21	1
14	14897118	Locking plate	1

### Spareparts Aluminium Hyfix



Pos.	Part no.	Description	Qty.
1	14897003	Lever operated clamp	1
2	14897015	Head	1
3	14897027	Rubber power block	1
4	14897038	Compression plate aluminium	1
5	01770706	Grease nipple	1
6	14897041	Axle Ø32	2
7	14897053	Axle Ø25	1
8	14897064	Slotted pin	7
9	14897089	Threaded pin	1
10	14897091	Pivot mechanism	1
11	14897121	Frame aluminium	1
12	14897168	Bracket aluminium	1